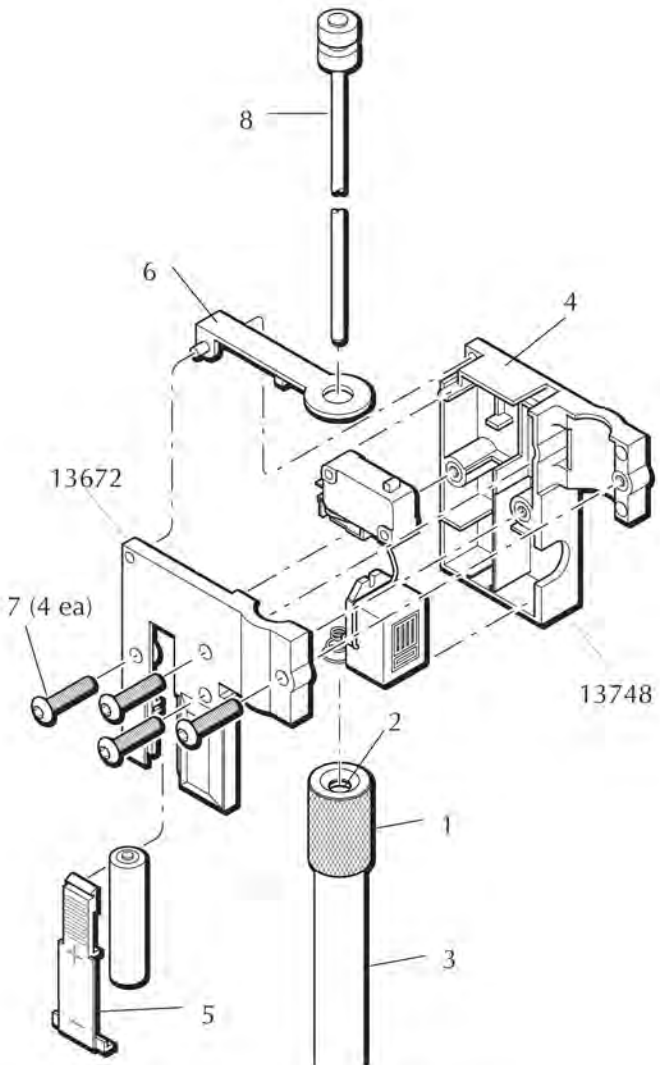


# Primer Early Warning Buzzer Assembly #20302



1	13957	Magazine Shield Cap
2L	22033	Primer Magazine, Large
2S	22032	Primer Magazine, Small
3	21279	Primer Feed Body Housing
4	20302	Early Warning Buzzer
5	13857	Battery Cover
6	13864	Switch Lever
7	14023	Buzzer Housing Screw
8	13707	Follower Rod