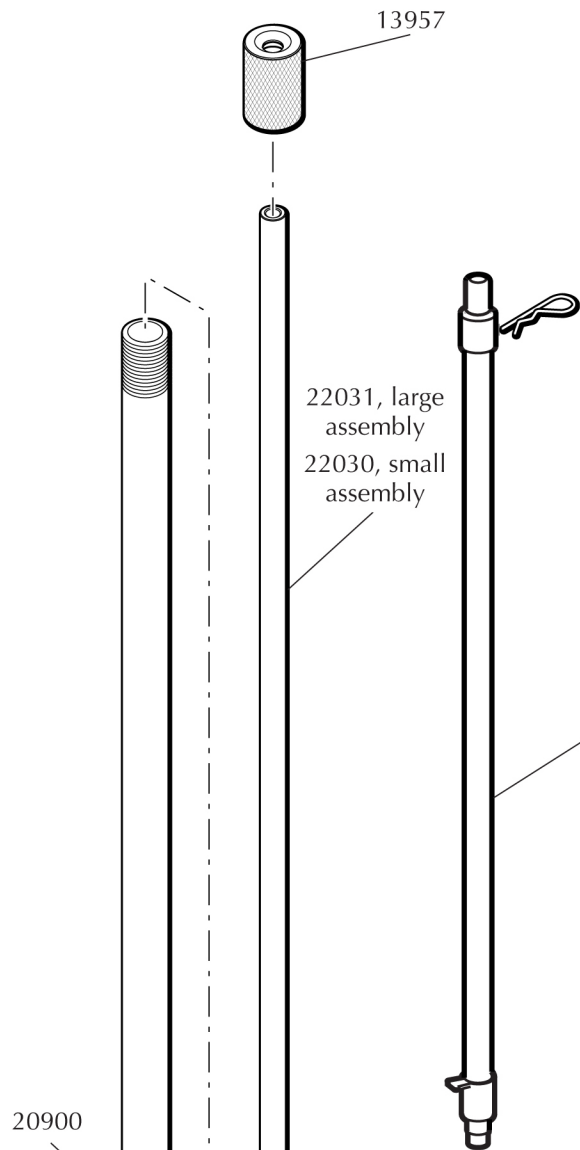
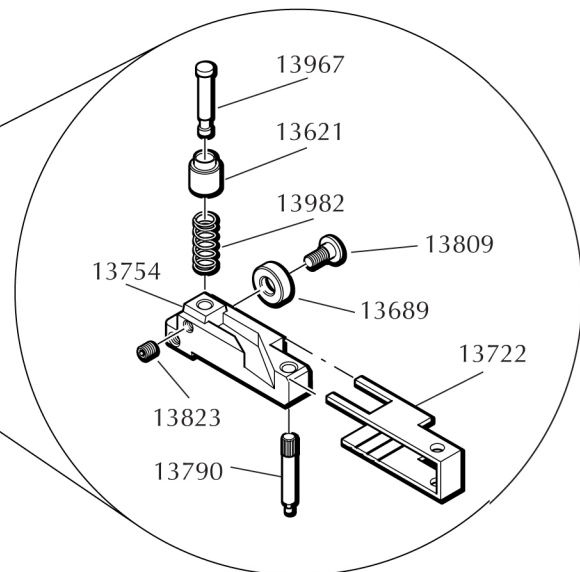
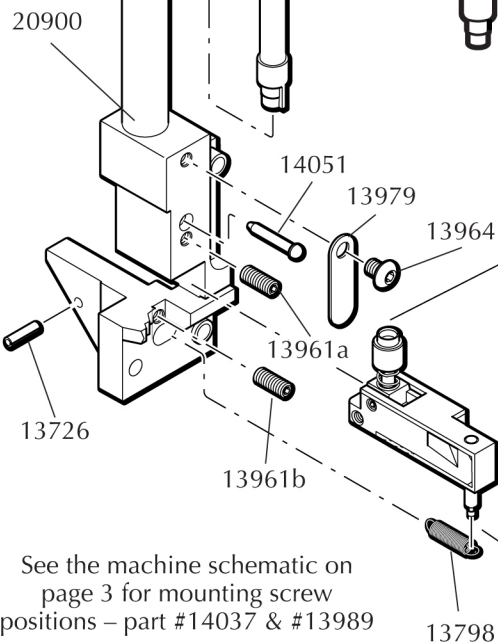
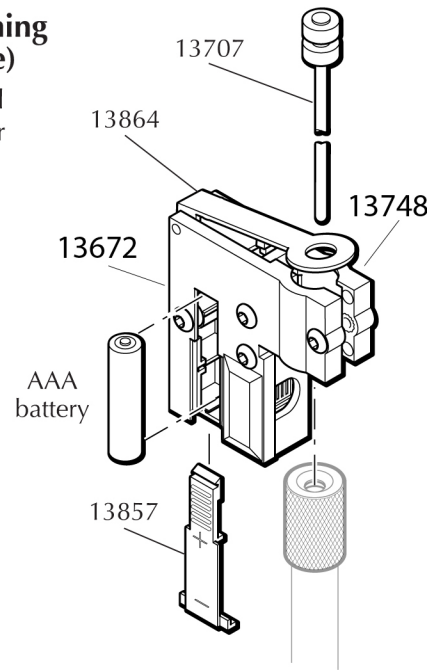


Automatic Primer System



20302 Early Warning System (Complete)

- 13707 Follower Rod
- 13857 Battery Cover
- 13864 Switch Lever



Primer Slide Assembly 20124 large, 20125 small

- 13621 Primer Cup – Large
- 13657 Primer Cup – Small
- 13689 Primer Slide Roller
- 13722 Primer Slide Bearing
- 13754 Primer Slide
- 13757 Primer Punch – Small
- 13790 Primer Slide Return Pin
- 13809 Roller Bolt
- 13823 Primer Punch Set Screw
- 13967 Primer Punch – Large
- 13982 Primer Punch Spring

See the machine schematic on page 3 for mounting screw positions – part #14037 & #13989